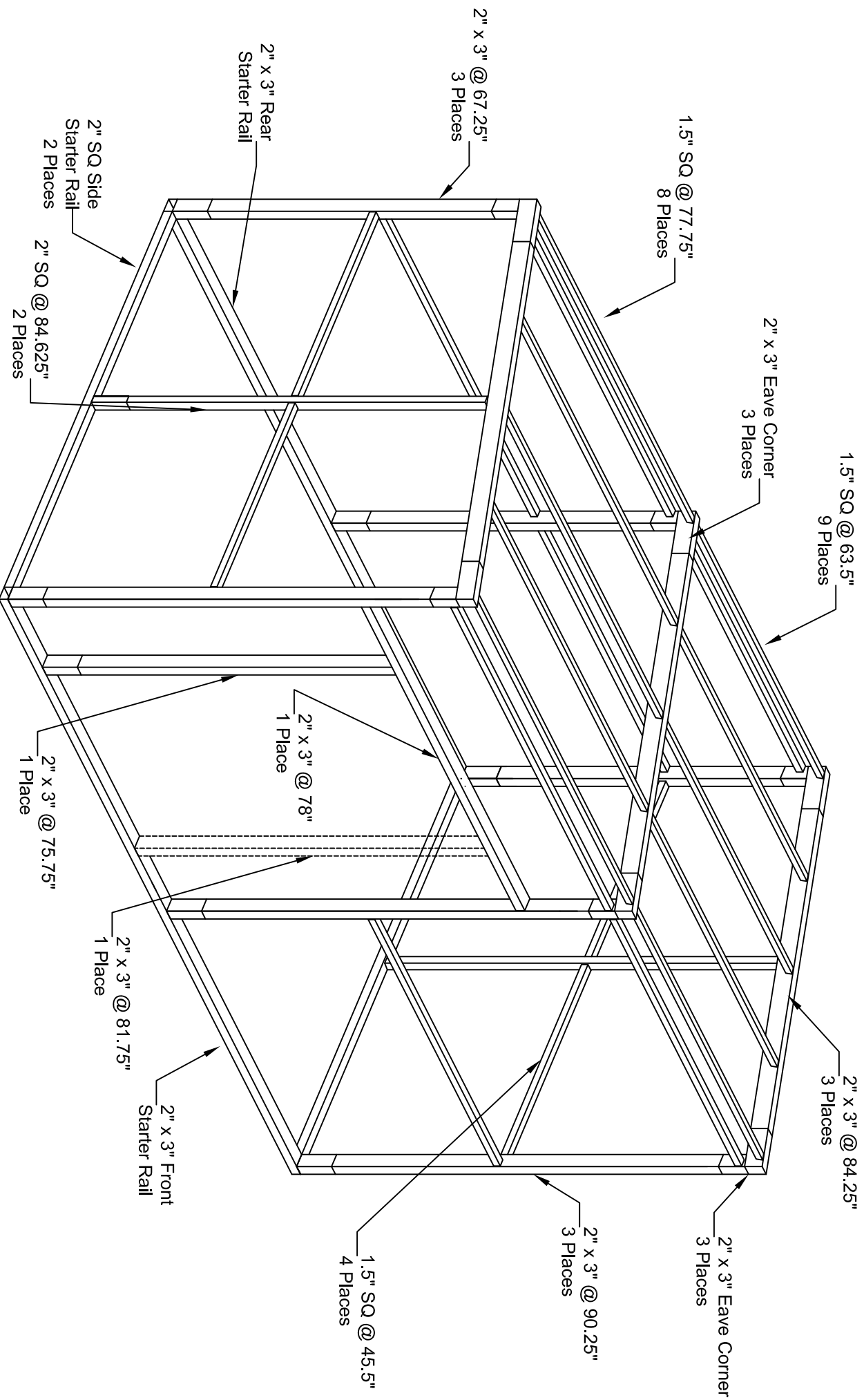


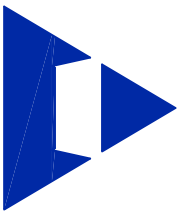
TransAmerican Strukturoc, Inc.

920 Apollo Road, Suite 120
Eagan, MN 55121
Phone: 952-884-7694
Fax: 651-403-6766
Web: www.strukturoc.com



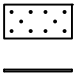
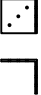

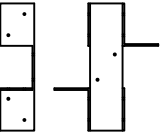
Drawing: Single Slope Shed 8 X 12
Detailed By: Phil Ales

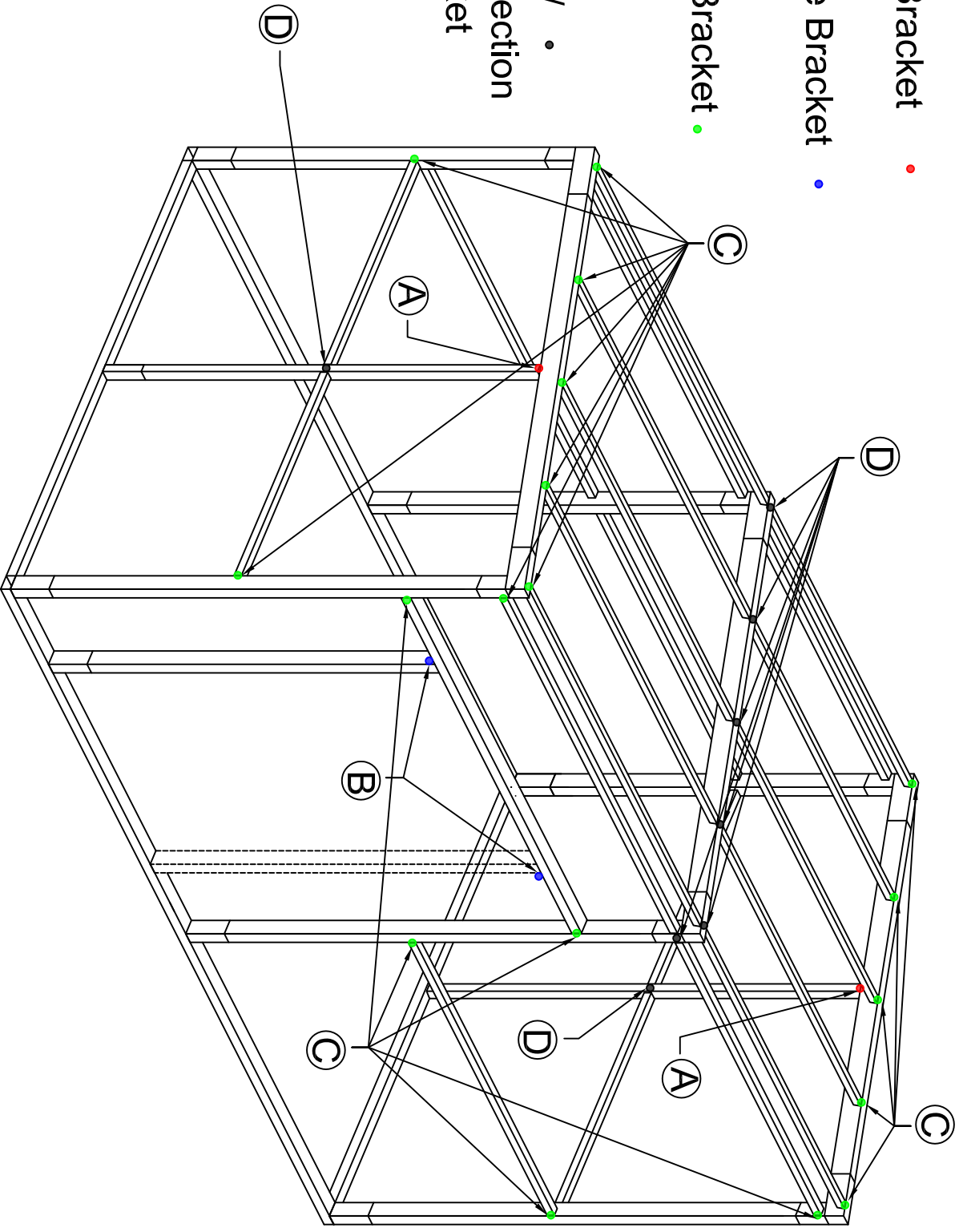
Building Framing
Date: 5/07/2018



TransAmerican Strukturoc, Inc.

920 Apollo Road, Suite 120
Eagan, MN 55121
Phone: 952-884-7694
Fax: 651-403-6766
Web: www.strukturoc.com

-  **A** Flat Bracket •
-  **B** Angle Bracket •
-  **C** End Bracket •
-  **D** Roof / Intersection Bracket •

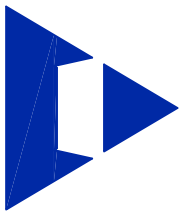


Drawing: Single Slope Shed 8 X 12

Detailed By: Phil Ales

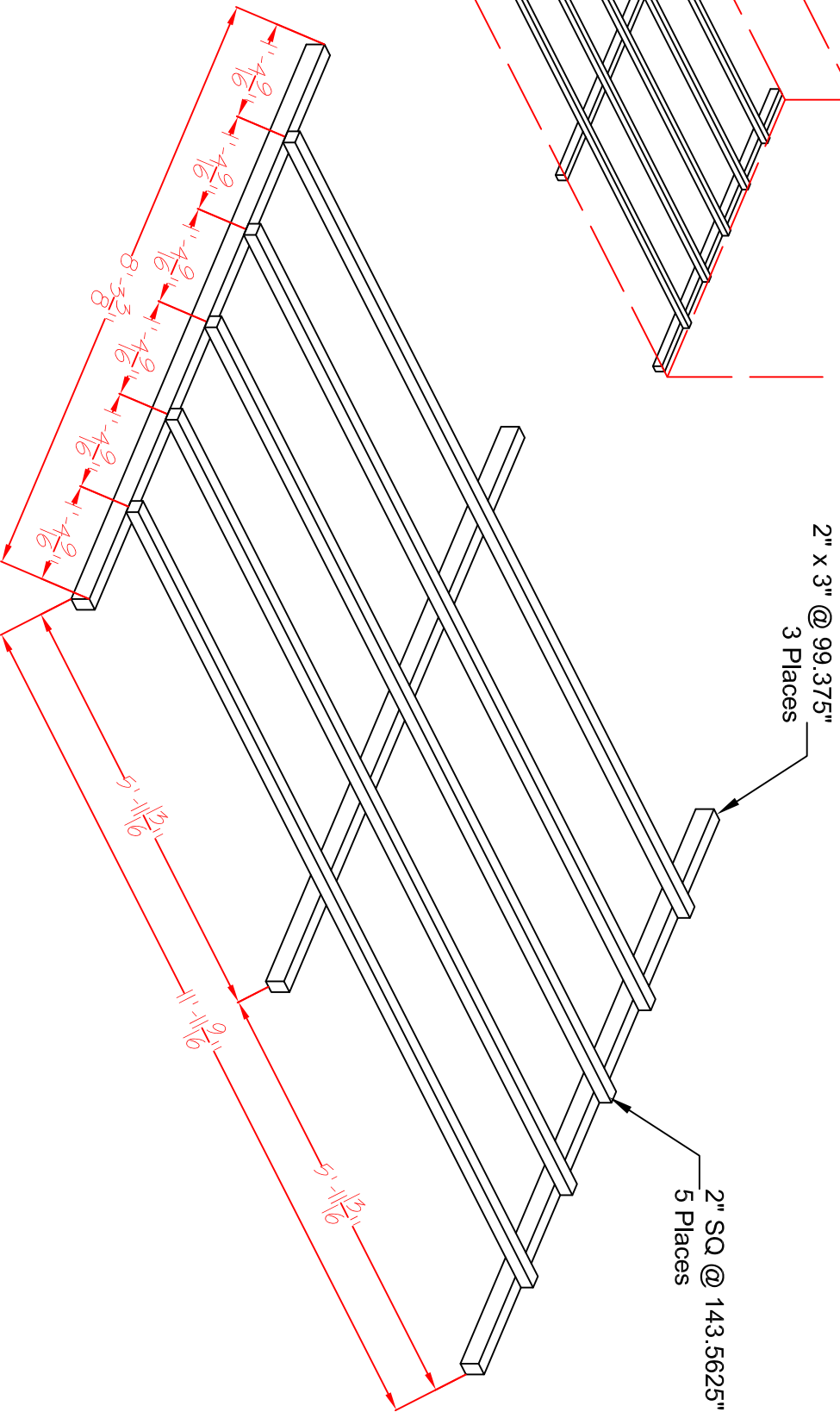
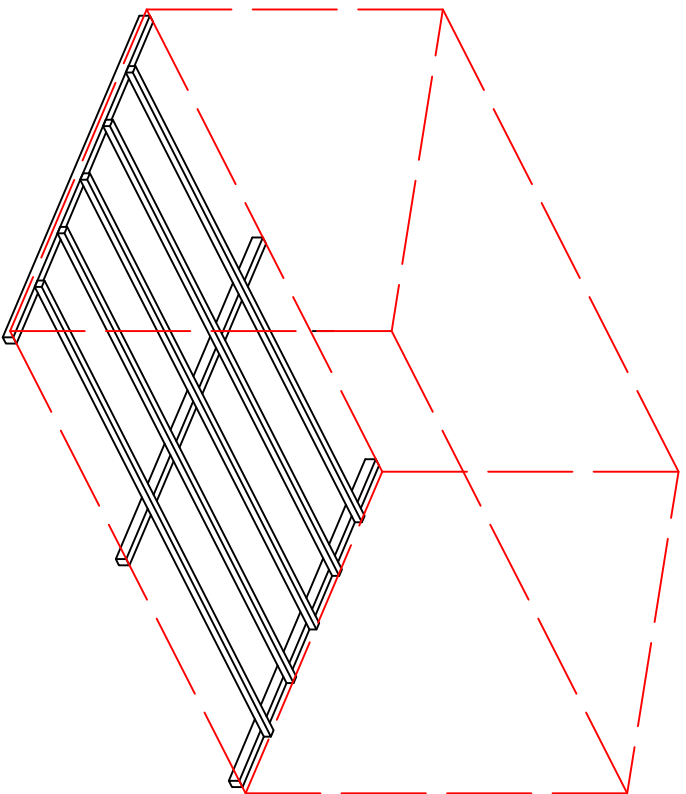
Building Bracket Location

Date: 3/13/2018



TransAmerican Strukturoc, Inc.

920 Apollo Road, Suite 120
Eagan, MN 55121
Phone: 952-884-7694
Fax: 651-403-6766
Web: www.strukturoc.com

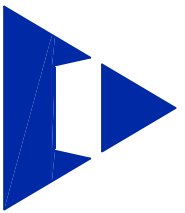


Drawing: Single Slope Shed 8 X 12

Detailed By: Phil Ales

Shed Floor

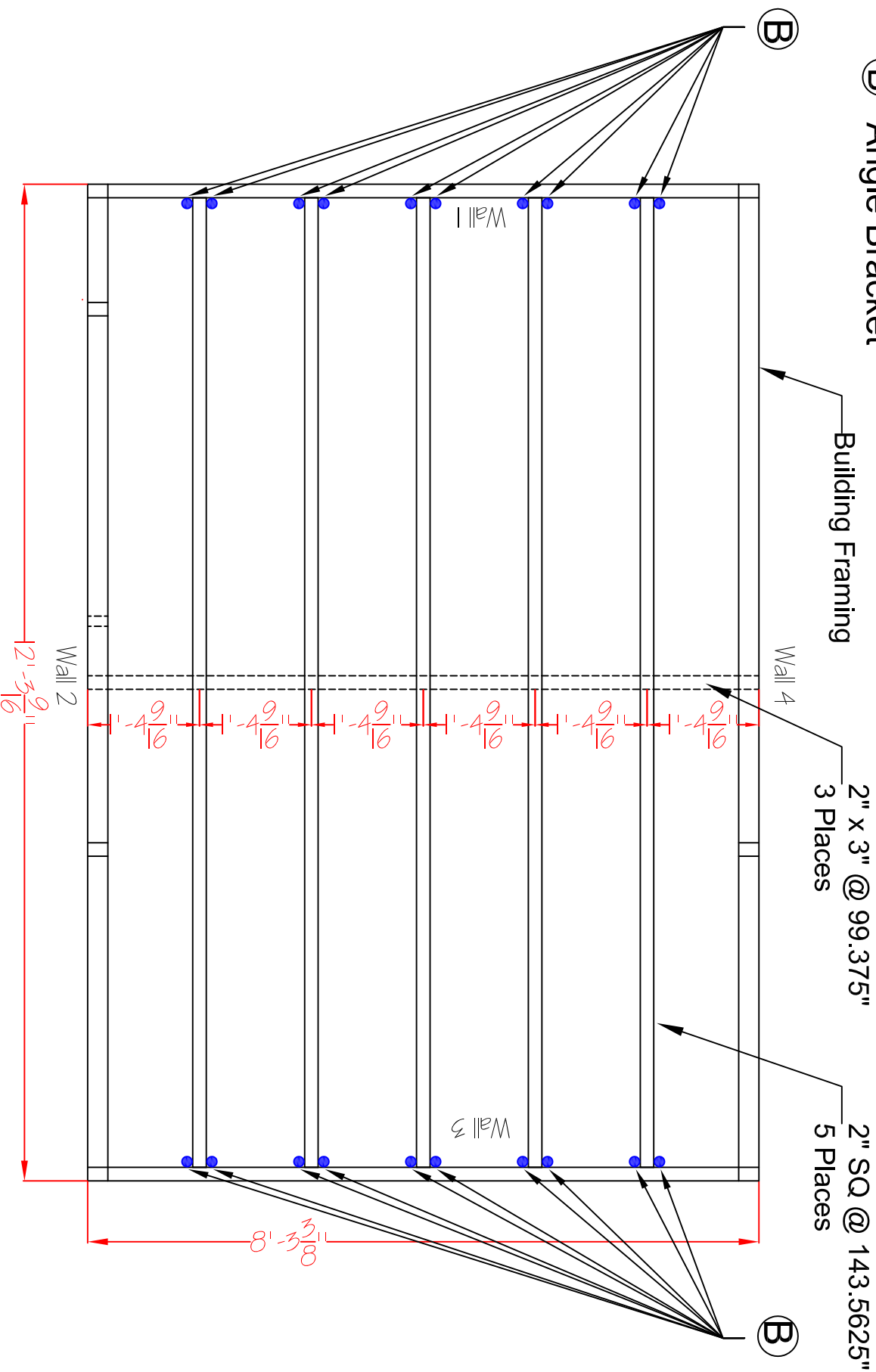
Date: 3/07/2018



TransAmerican Strukturroc, Inc.

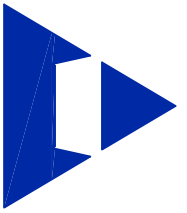
920 Apollo Road, Suite 120
Eagan, MN 55121
Phone: 952-884-7694
Fax: 651-403-6766
Web: www.strukturroc.com

Angle Bracket



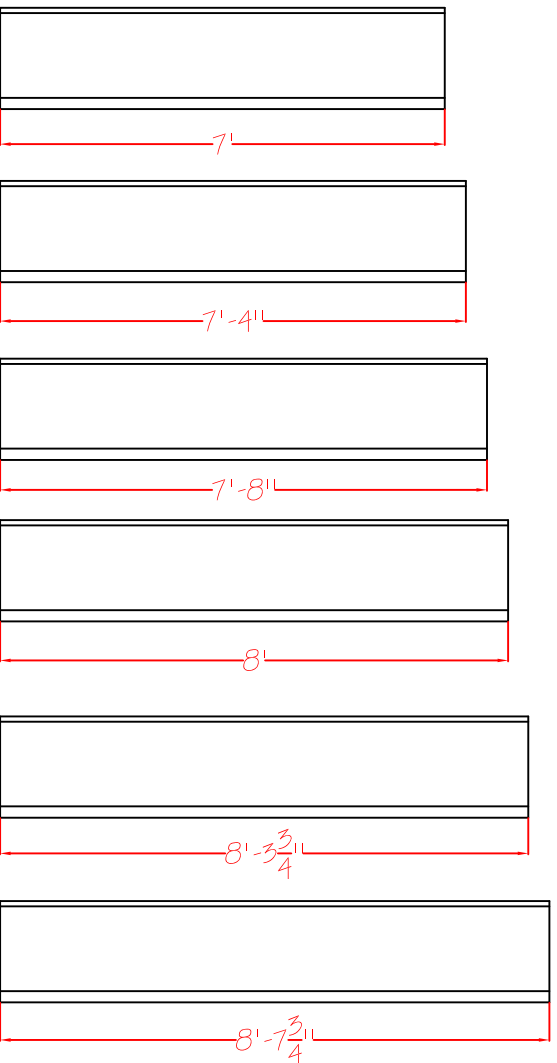
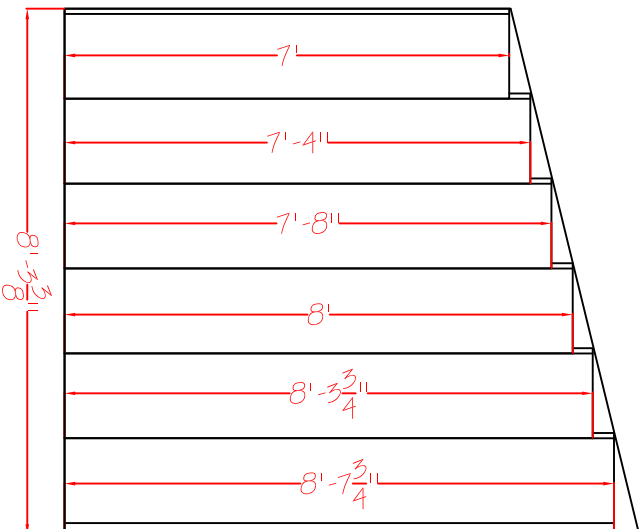
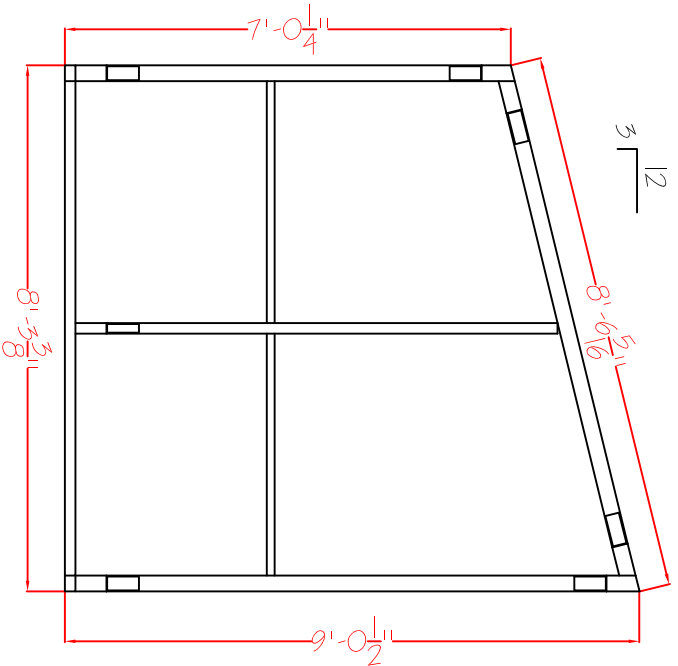
Drawing: Single Slope Shed 8 X 12
Detailed By: Phil Ales

Floor Bracket Location
Date: 3/14/2018



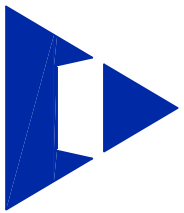
TransAmerican Strukturroc, Inc.

920 Apollo Road, Suite 120
Eagan, MN 55121
Phone: 952-884-7694
Fax: 651-403-6766
Web: www.strukturroc.com



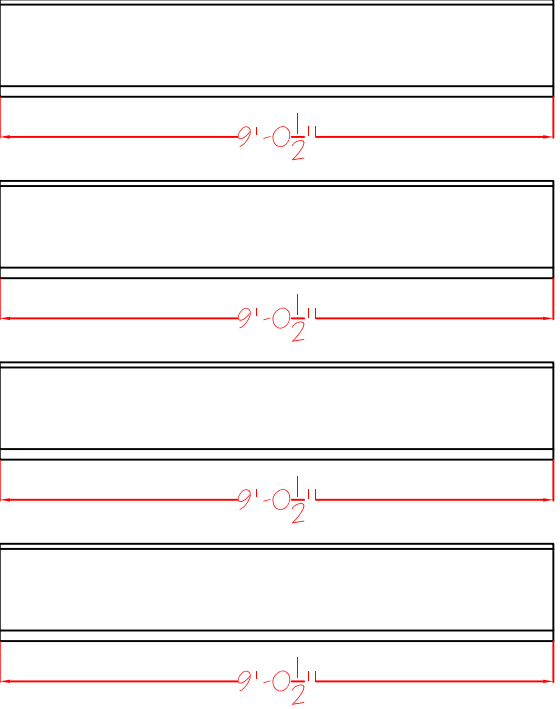
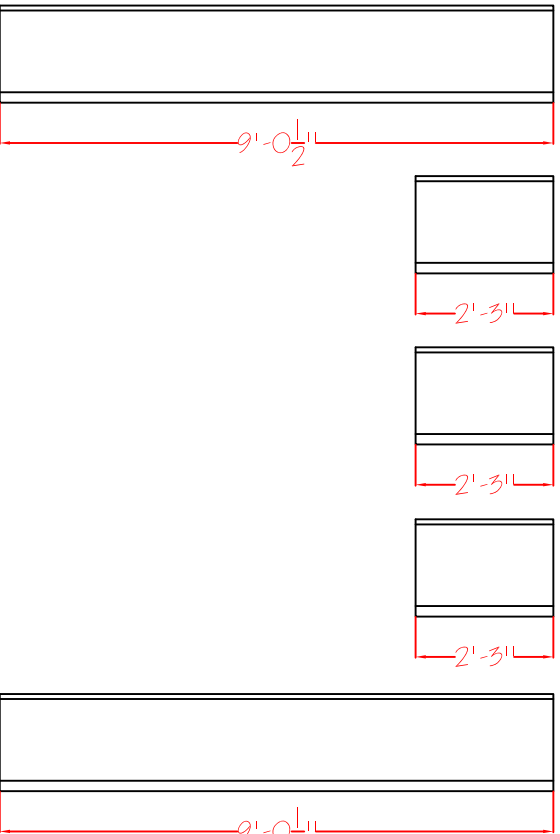
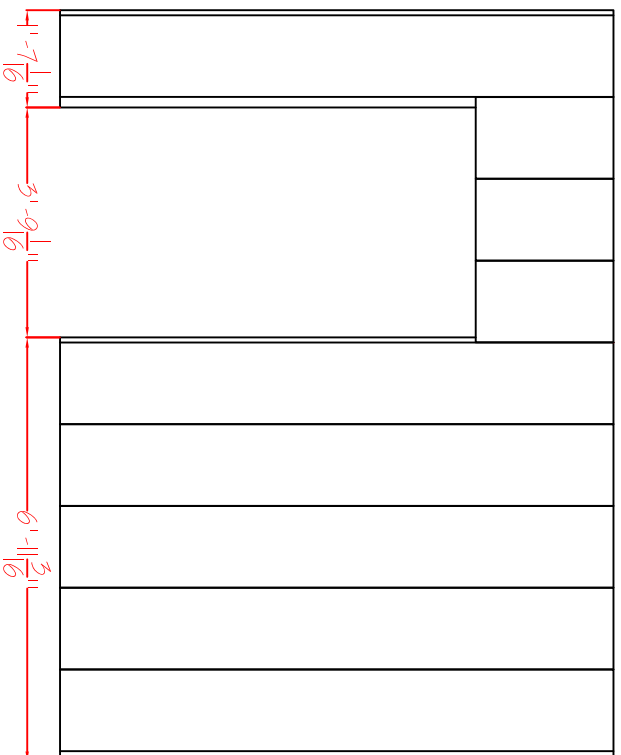
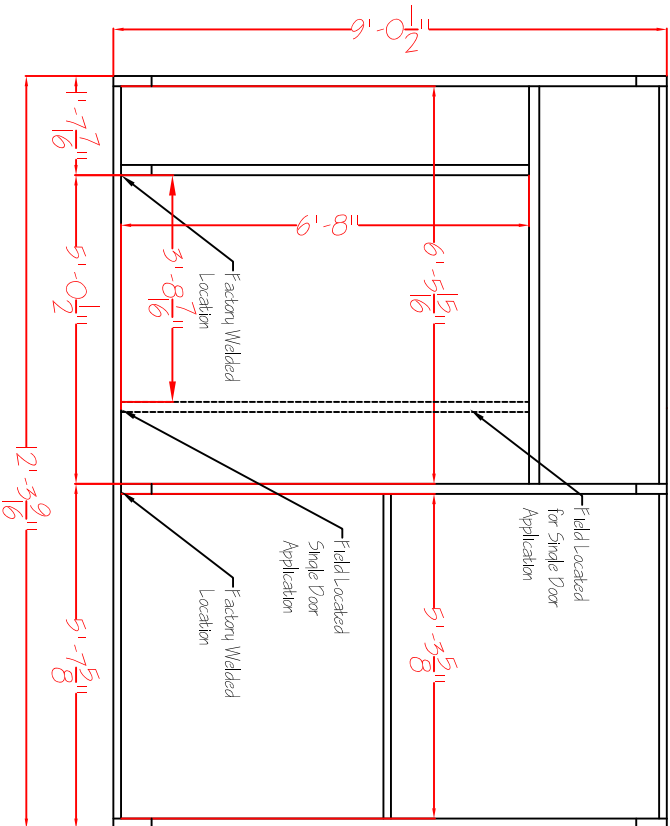
Drawing: Single Slope Shed 8 X 12
Detailed By: Phil Ales

Page: Wall Framing and Panels
Date: 3/14/2018



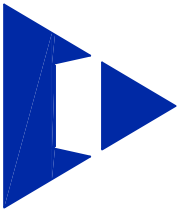
TransAmerican Strukturoc, Inc.

920 Apollo Road, Suite 120
Eagan, MN 55121
Phone: 952-884-7694
Fax: 651-403-6766
Web: www.strukturoc.com



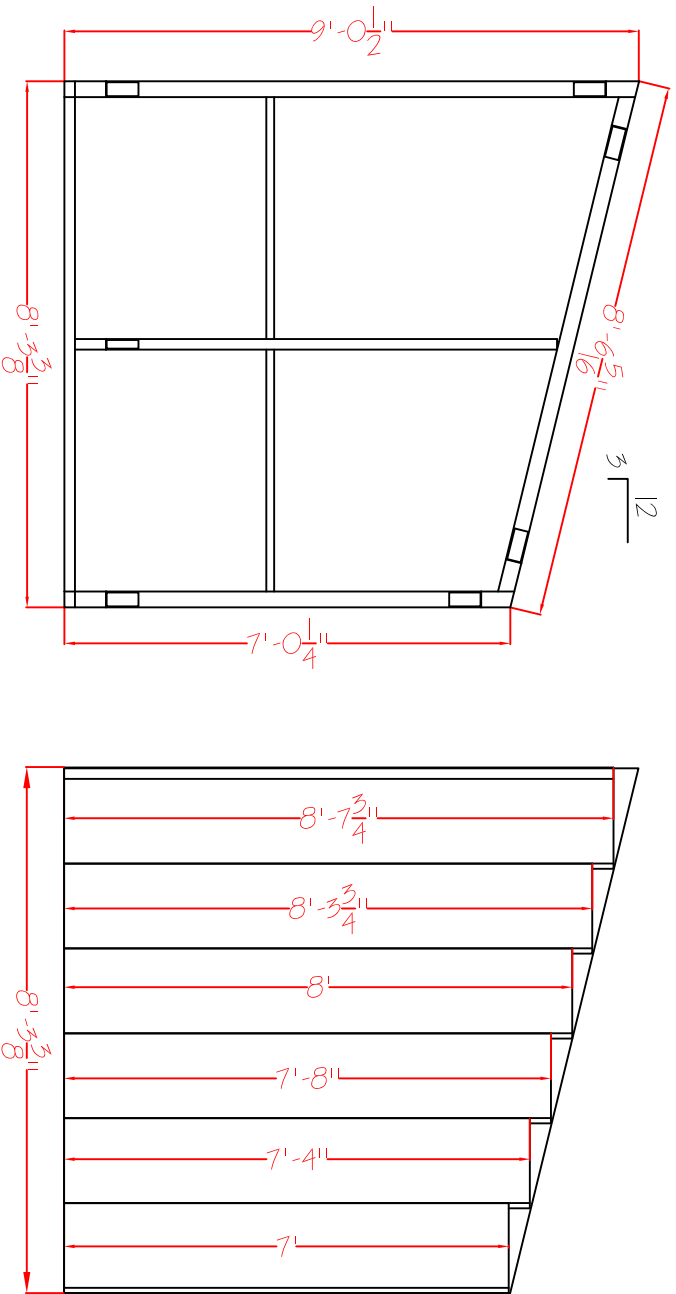
Drawing: Single Slope Shed 8 X 12
Detailed By: Phil Ales

Page: Wall 2 Framing and Panels
Date: 3/14/2018



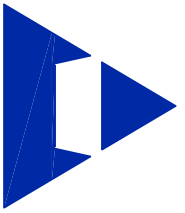
TransAmerican Strukturroc, Inc.

920 Apollo Road, Suite 120
Eagan, MN 55121
Phone: 952-884-7694
Fax: 651-403-6766
Web: www.strukturroc.com



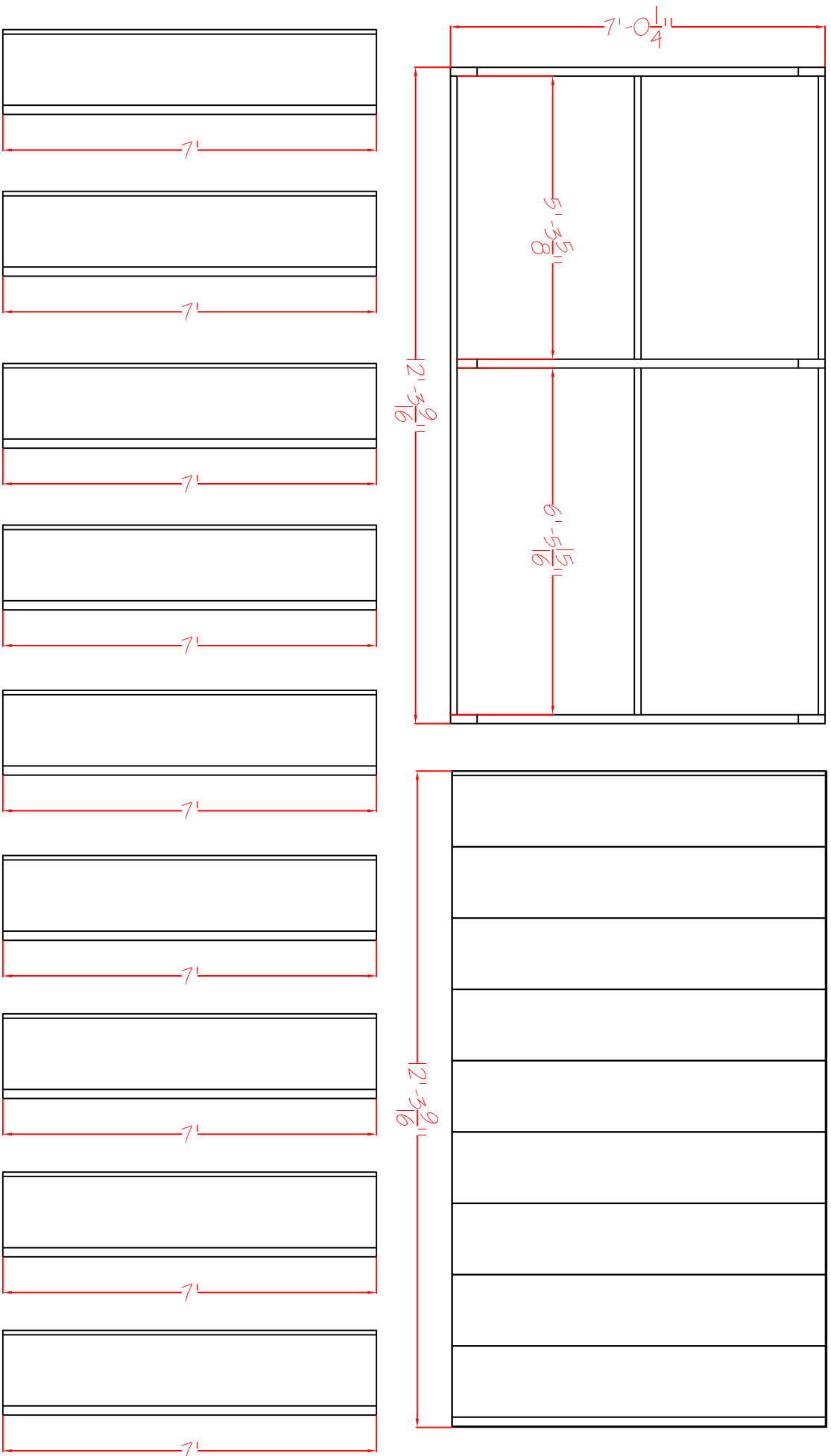
Drawing: Single Slope Shed 8 X 12
Detailed By: Phil Ales

Page: Wall 3 Framing and Panels
Date: 3/14/2018



TransAmerican Strukturroc, Inc.

920 Apollo Road, Suite 120
Eagan, MN 55121
Phone: 952-884-7694
Fax: 651-403-6766
Web: www.strukturroc.com



Drawing: Single Slope Shed 8 X 12
Detailed By: Phil Ales

Page: Wall 4 Framing and Panels
Date: 3/14/2018